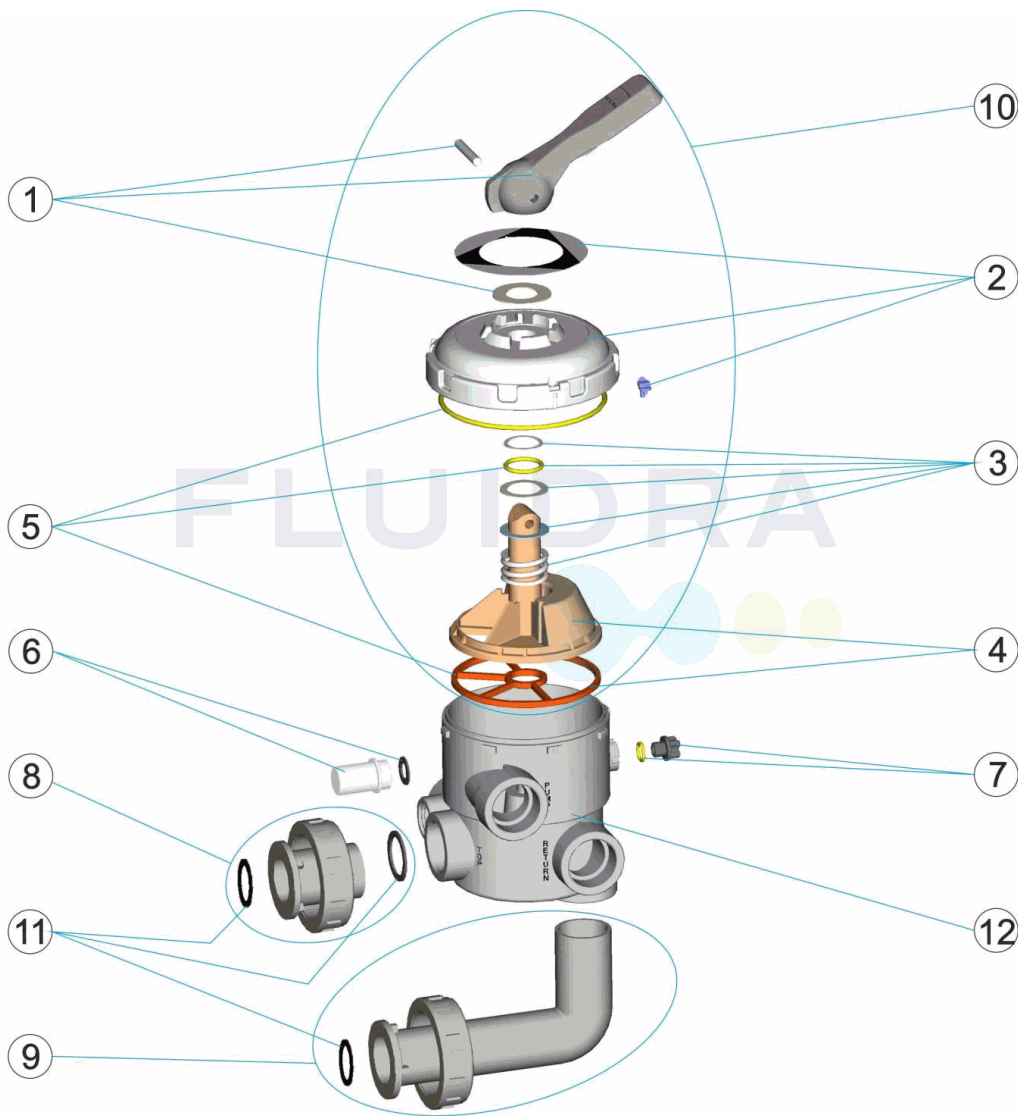


CODIGO **20569**

DESCRIPCION: **VALVULA SELECTORA 1 1/2" BAYONETA + RACORDAJE**

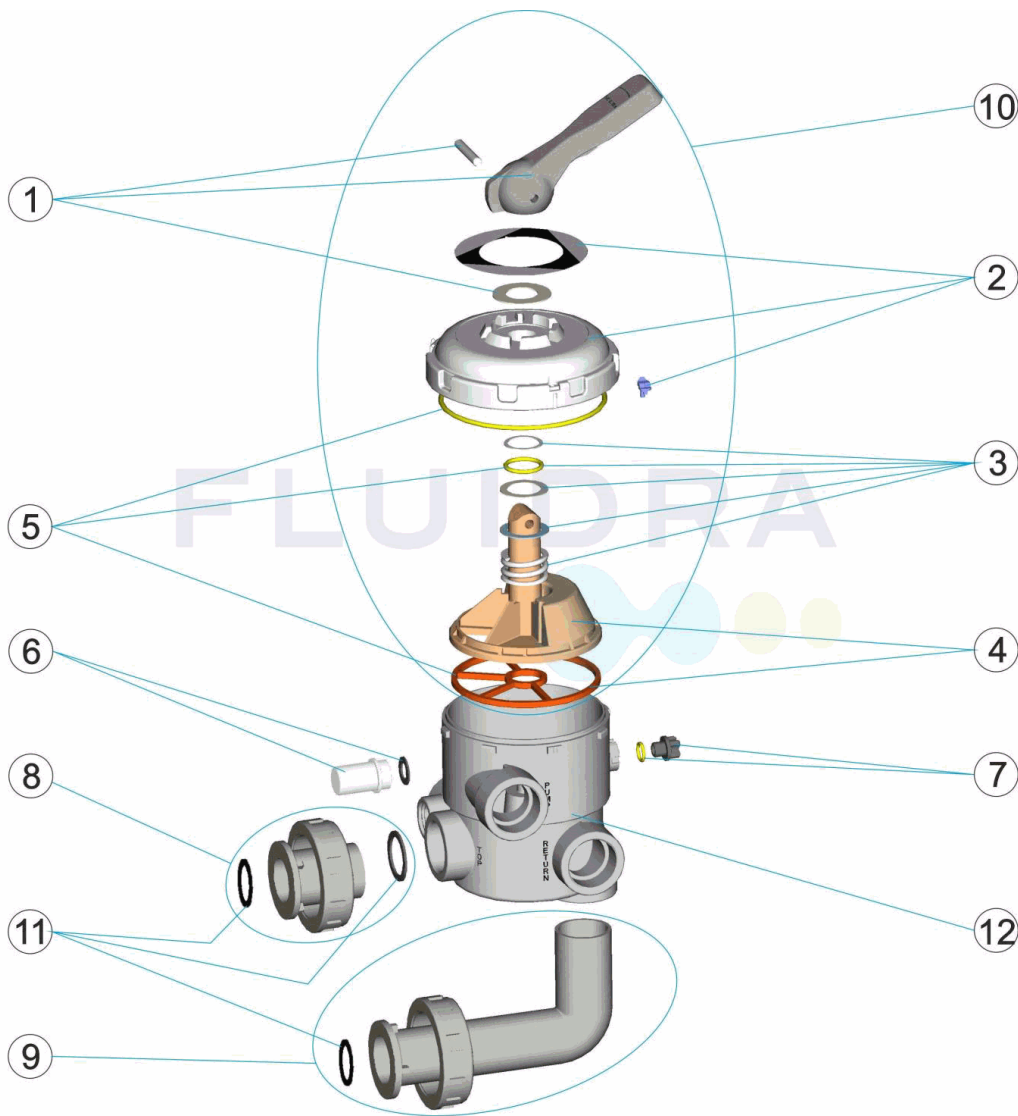


ESPAÑOL

POS	CODIGO	DESCRIPCION	POS	CODIGO	DESCRIPCION
1	4404120102	MANETA NEGRA 1 1/2'-2'	7	4404121107	TAPON 1/4' VALVULA
2	4404121102	TAPA ABS 6 V	8	4404120202	ENLACE RECTO NEGRO 1 1/2' NUEVO
3	4404121103	RESORTE VALVULA	9	4404120204	ENLACE ACODADO NEGRO 1 1/2' NUEVO
4	4404121104	DISTRIBUIDOR CON JUNTA	10	4404121110	CJTO. SUPERIOR 11/2" BAYONETA NEGRO
5	4404121105	JUNTAS VALVULA 1 1/2'	11	4404120205	JUNTAS ENLACE 1 1/2'
6	4404120108	VISOR CON JUNTA	12	20043R0101	CUERPO VALVULA 1 1/2"

CODE 20569

DESCRIPTION: SÉLECTEUR 1 1/2" BAÏONNETTE + RACCORD

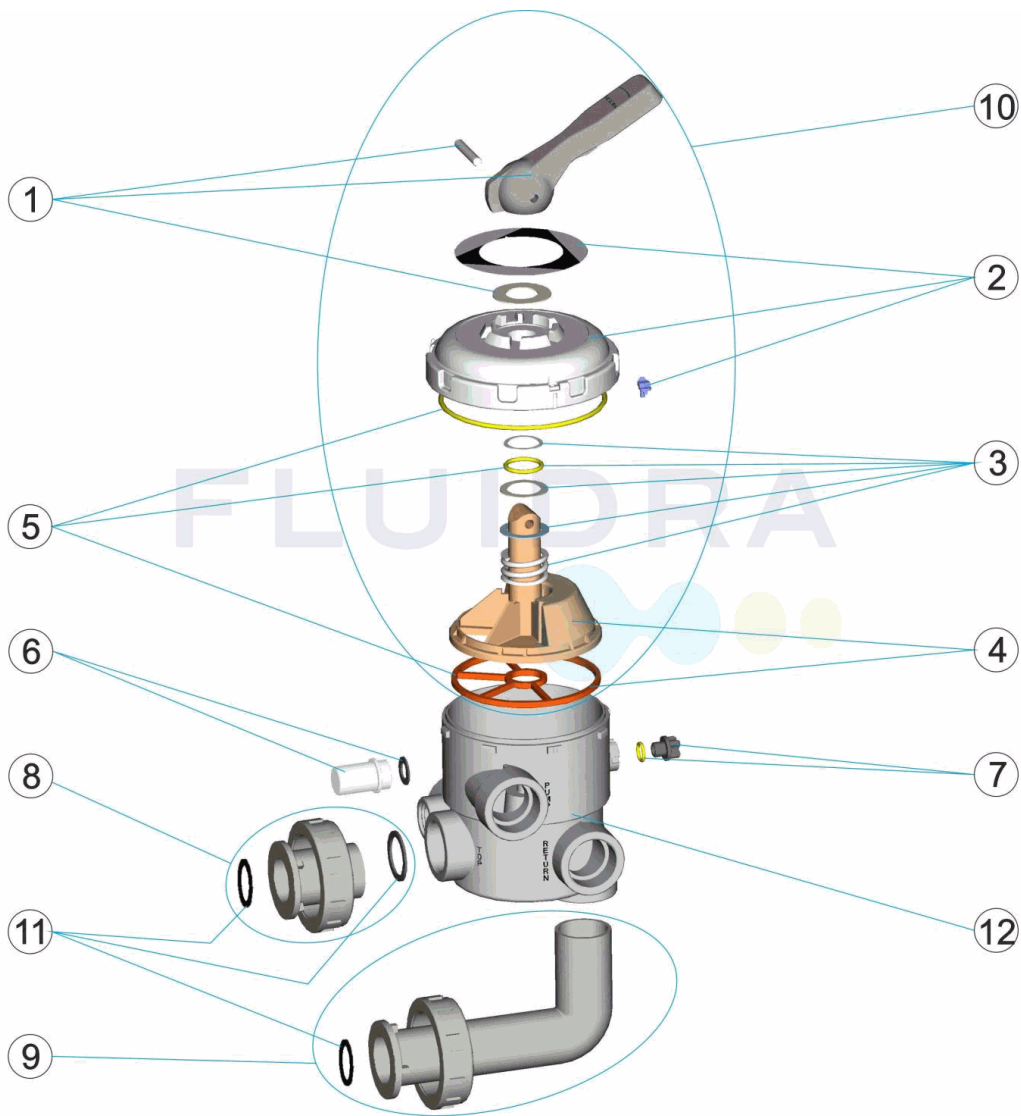


FRANCAIS

POS	CODE	DESCRIPTION	POS	CODE	DESCRIPTION
1	4404120102	POIGNEE NOIRE 1 1/2' ET 2'	7	4404121107	BOUCHON 1/4' DE VANNE
2	4404121102	COUVERCLE ABS 6 VOIES	8	4404120202	SORTIE DROITE NOIRE 1 1/2' NOUVEAU MODELE
3	4404121103	RESSORT DE VANNE	9	4404120204	SORTIE COUDEE NOIRE 1 1/2'
4	4404121104	BOISSEAU AVEC JOINT	10	4404121110	ENSEMBLE SUPÉRIEUR 1 1/2" BAYONETTE NOIR
5	4404121105	JOINTS VANNE 1 1/2'	11	4404120205	JOINTS DE SORTIES 1 1/2'
6	4404120108	VOYANT ET JOINT	12	20043R0101	CORPS LATÉRAL ABS

CODE **20569**

DESCRIPTION: **MULTIPOINT VALVE 1 1/2" LEVEL INDICATOR + COUPLING**

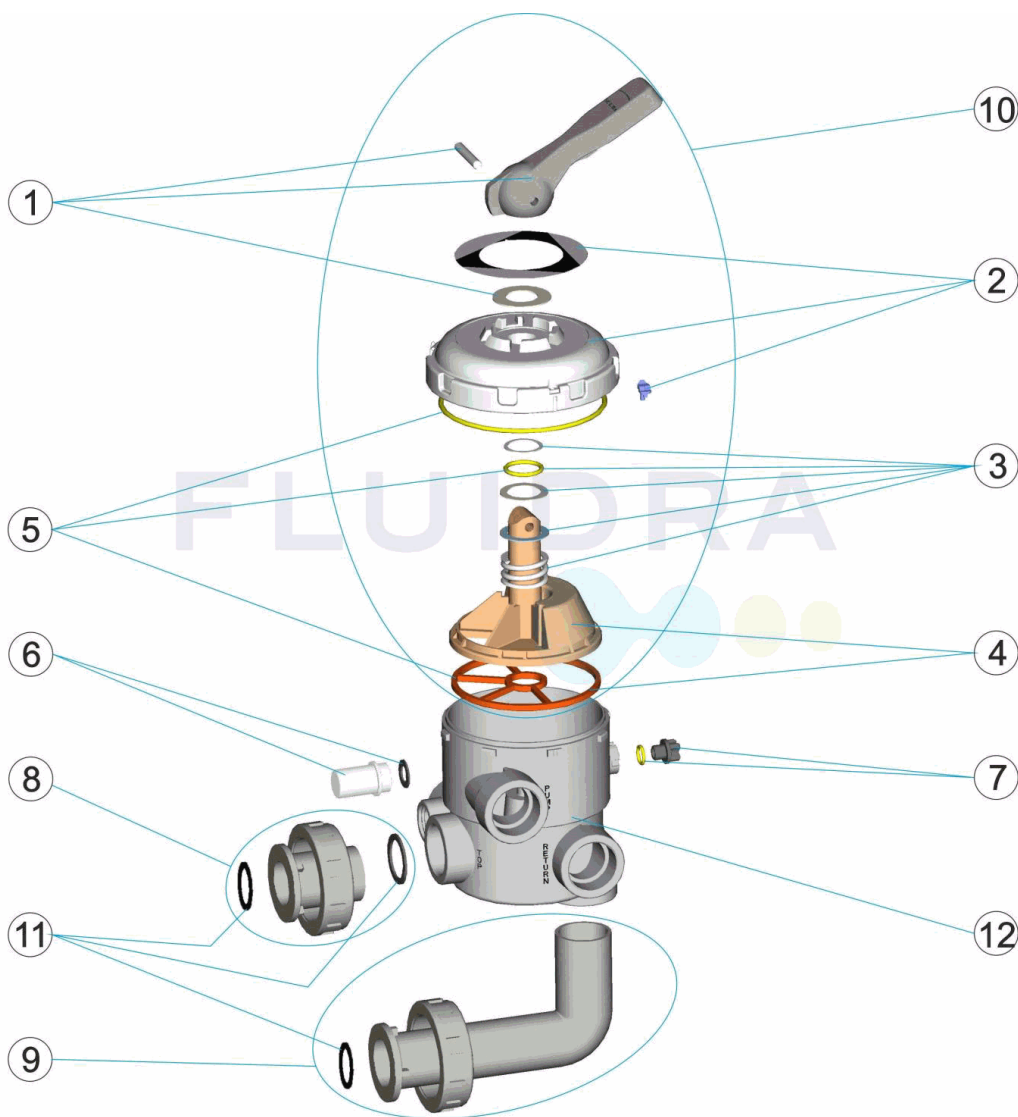


ENGLISH

POS	CODE	DESCRIPTION	POS	CODE	DESCRIPTION
1	4404120102	BLACK HANDLE 1 1/2"-2"	7	4404121107	PLUG 1/4"
2	4404121102	TOP ABS 6 WAY	8	4404120202	UNION BLACK 1 1/2" NEW
3	4404121103	SPRING	9	4404120204	ELBOW BLACK 1 1/2" NEW
4	4404121104	DISTRIBUTOR WITH GASKETS	10	4404121110	UPPER PART 1 1/2" BAYONET CLOSING BLACK
5	4404121105	GASKETS 1 1/2"	11	4404120205	UNION SEALS 1 1/2"
6	4404120108	VISOR WITH SEAL	12	20043R0101	VALVE VODY 1 1/2"

CODICE 20569

DESCRIZIONE: VALVOLA SELETTORIE 1 1/2" BAIONETTA CON RACCORDO

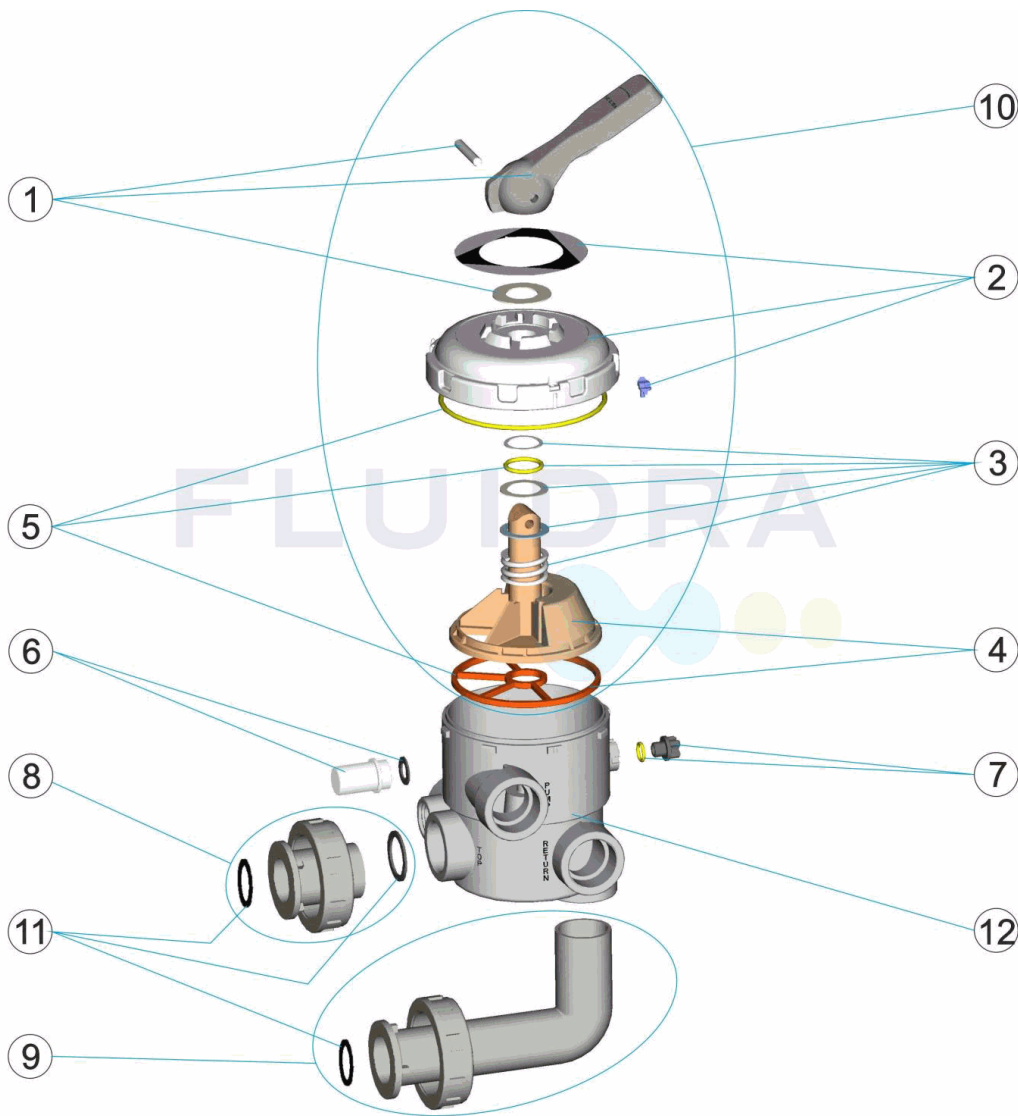


ITALIANO

POS	CODICE	DESCRIZIONE	POS	CODICE	DESCRIZIONE
1	4404120102	MANIGLIA NERA 1 1/2" - 2"	7	4404121107	COPERCHIO 1/4" VALVOLA
2	4404121102	COPERCHIO ABS 6 V	8	4404120202	RACCORDO DIRITTO NERO 1 1/2 NUOVO
3	4404121103	MOLLA VALVOLA	9	4404120204	RACCORDO A GOMITO NERO 1 1/2 NUOVO
4	4404121104	DISTRIBUTORE CON GUARNIZIONE	10	4404121110	KIT BAIONETTA SUPERIORE DA 1 1/2" COLORE NI
5	4404121105	GUARNIZIONI VALVOLA 1 1/2"	11	4404120205	GUARNIZIONE PER RACCORDO 1 1/2"
6	4404120108	VISORE CON GUARNIZIONE	12	20043R0101	CORPO VALVOLA 1 1/2"

CODE 20569

BESCHREIBUNG: WECHSELVENTIL 1 1/2" BAYONETA + KOPPLUNG

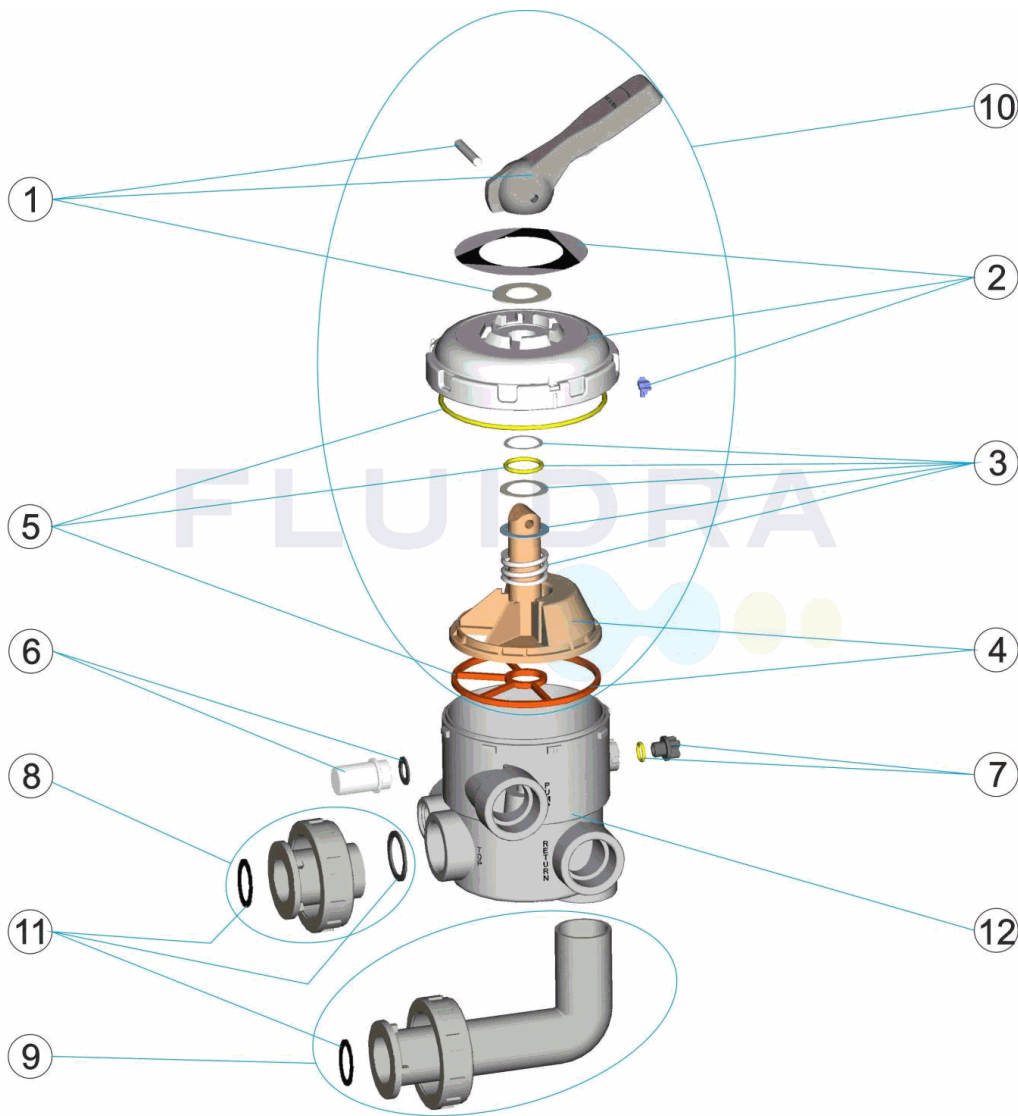


DEUTSCH

POS	CODE	BESCHREIBUNG	POS	CODE	BESCHREIBUNG
1	4404120102	HEBEL KOMPLETT RSV SCHWARZ 1 1/2 - 2'	7	4404121107	ENTLEERUNGSSTOPFENSATZ 1/4" RSV 6+1"
2	4404121102	DECKEL RSV 6+1	8	4404120202	ROHWASSERANSCHLUSSSATZ RSV 1 1/2" SCHWAI
3	4404121103	FEDER MIT SCHEIBEN RSV 6+1	9	4404120204	REINWASSERARM RSV 1 1/2" SCHWARZ KOMPLE
4	4404121104	DREHTELLERSATZ RSV 6+1	10	4404121110	OBERTEIL 1 1/2" BAJONTTVERSCHLUSS SCHWAF
5	4404121105	DICHTUNGSSATZ RSV 6+1	11	4404120205	DICHTUNGSSATZ RSV-SATZ 1 1/2"
6	4404120108	SICHTGLAS MIT DICHTUNG	12	20043R0101	VENTILKÖRPER 1 1/2"

CODIGO **20569**

DESCRIÇÃO: **VÁLVULA SELECTORA 1 1/2" BAIONETA + PEÇAS DE LIGAÇÃO**



PORTUGUES

POS	CODIGO	DESCRIÇÃO	POS	CODIGO	DESCRIÇÃO
1	4404120102	MANIPULO PRETO 1 1/2'-2'	7	4404121107	TAMPÃO 1/4' VÁLVULA
2	4404121102	MANIPULO	8	4404120202	LIGAÇÃO RECTA PRETA 1 1/2' NOVA
3	4404121103	TAMPA PARAFUSOS	9	4404120204	LIGAÇÃO CURVA PRETA 1 1/2' NOVA
4	4404121104	DISTRIBUIDORCOM JUNTA	10	4404121110	CJTO. SUPERIOR 1 1/2" BAIONRRTA PRETA
5	4404121105	JUNTAS VÁLVULA 1 1/2'	11	4404120205	JUNTAS LIGAÇÃO 1 1/2'
6	4404120108	VISOR COM JUNTA	12	20043R0101	CORPO VALVULA 1 1/2"